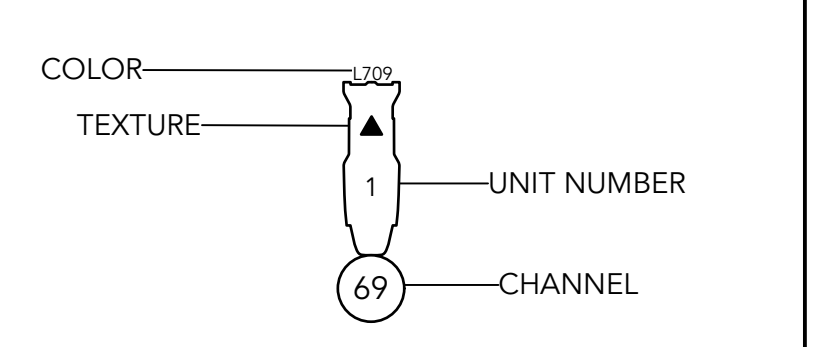


| LINESET SCHEDULE | | |
|------------------------|------------|--------|
| # | LABEL | TRIM |
| 5 | 2 ELECTRIC | 21'-4" |
| 4 | 1 ELECTRIC | 20'-9" |
| 3 | UNUSED | TRIM |
| 2 | UNUSED | TRIM |
| 1 | UNUSED | TRIM |
| Track MAIN DROP 16'-2" | | |

INSTRUMENT KEY

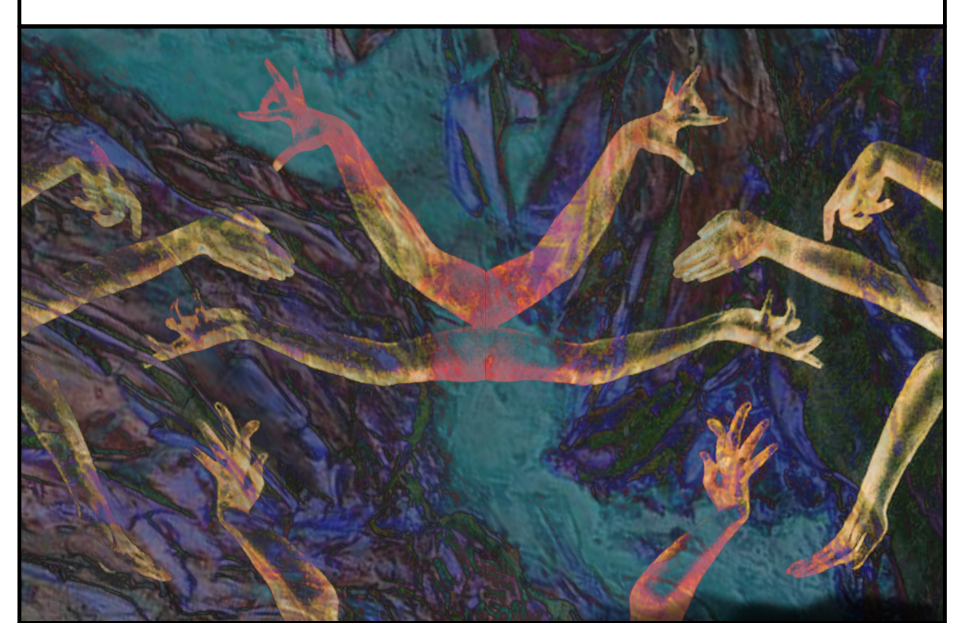
- ETC Source 4 19 Degree 750w
- ETC Source 4 26 Degree 750w
- ETC Source 4 50 Degree 750w
- MFL Par 64 1000w
- LED Par RGBW 180w

LABEL LEGEND



REVISIONS

| | |
|------------|--------|
| 08. 29. 23 | Prelim |
| 09. 21. 23 | Final |



A MIDSUMMER NIGHTS DREAM

Written by: William Shakespeare

DIRECTOR
CHRISTINA RIOS

SCENIC DESIGNER
MORGAN BRENNAN

COSTUME DESIGNER
OLIVIA RADLE

SOUND DESIGNER
MARK KELLY

HEAD ELECTRICIAN
ERIN RILEY

ROBERT G. REIM THEATER

111 S. Geyer Rd.
Kirkwood, MO 63122

DISCLAIMER

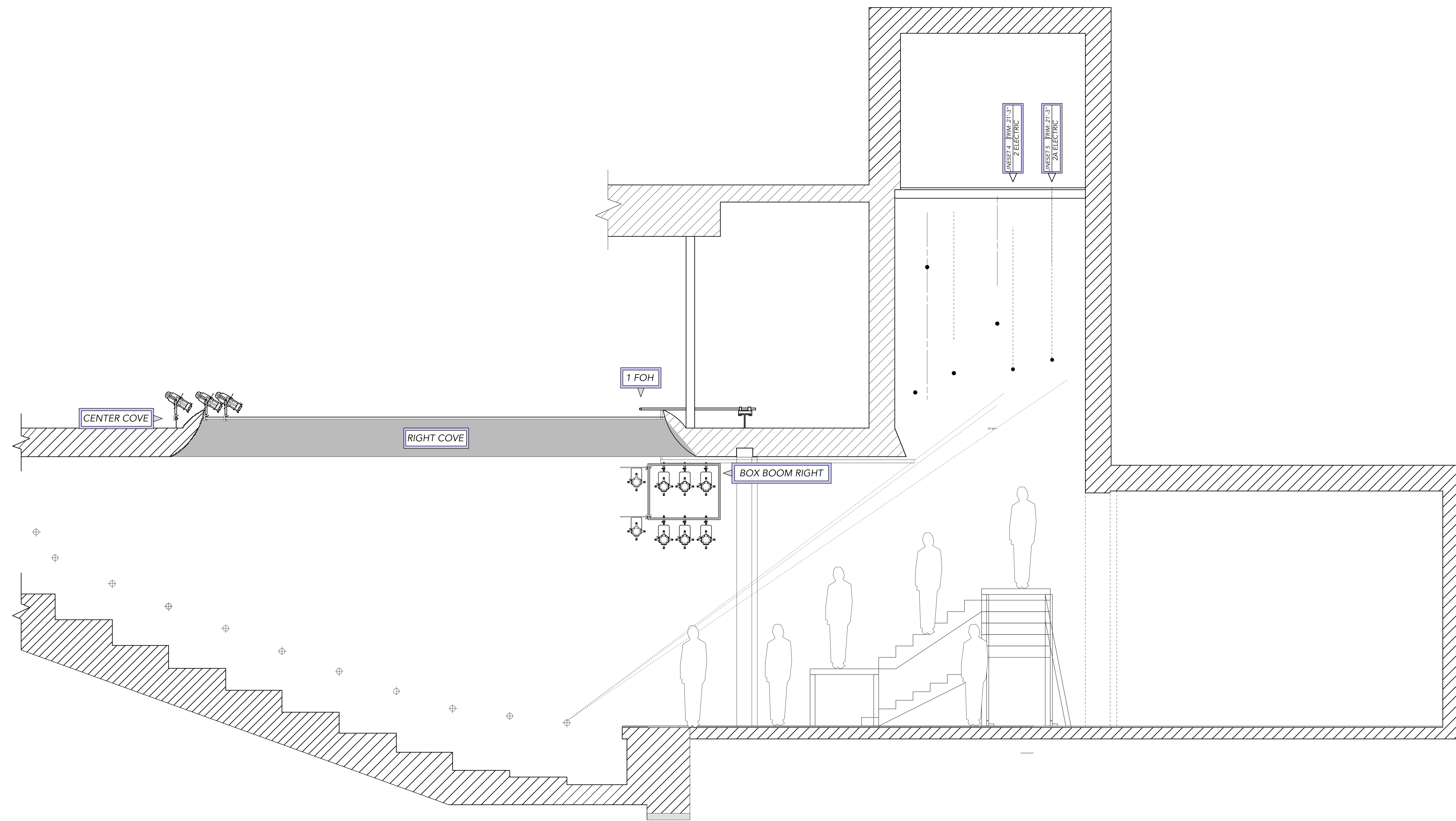
The drawings and information contained herein represent visual concepts and construction suggestions only. The Designer is unqualified to determine the structural appropriateness of this design and will not assume responsibility for improper engineering, electrification, construction, handling, or use of this system. All materials, construction, and wiring throughout shall comply with the most stringent of federal, state, and local fire and safety codes.

LIGHTING DESIGN & DRAFTED BY:

ERIN RILEY
3 1 4 . 9 3 3 . 0 6 2 3
erinriley031@gmail.com

OVERHEAD PLOT

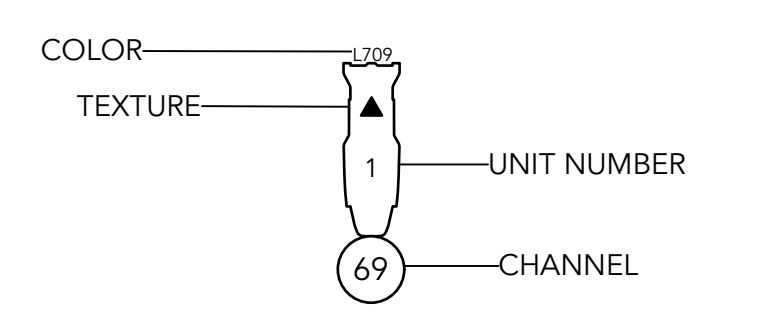
| | | |
|--------------|---------------|---|
| PLATE | 1 OF 2 | SCALE: 1/2" = 1'-0" WHEN PRINTED ON 24x36 |
|--------------|---------------|---|



INSTRUMENT KEY

- ETC Source 4 19 Degree 750w
- ETC Source 4 26 Degree 750w
- ETC Source 4 50 Degree 750w
- MFL Par 64 1000w
- LED Par RGBW 180w

LABEL LEGEND



REVISIONS

| | |
|----------|--------|
| 08.29.23 | Prelim |
| 09.21.23 | Final |



A MIDSUMMER NIGHTS DREAM

Written by: William Shakespeare

DIRECTOR
CHRISTINA RIOS

SCENIC DESIGNER
MORGAN BRENNAN

COSTUME DESIGNER
OLIVIA RADLE

SOUND DESIGNER
MARK KELLY

HEAD ELECTRICIAN
ERIN RILEY

ROBERT G. REIM THEATER

111 S. Geyer Rd.
Kirkwood, MO 63122

DISCLAIMER

The drawings and information contained herein represent visual concepts and construction suggestions only. The Designer is unqualified to determine the structural appropriateness of this design and will not assume responsibility for improper engineering, electrification, construction, handling, or use of this system. All materials, construction, and wiring throughout shall comply with the most stringent of federal, state, and local fire and safety codes.

LIGHTING DESIGN & DRAFTED BY:



SR SECTION

PLATE

2 OF 2

SCALE: 3/8" = 1'-0"
WHEN PRINTED ON 24x36